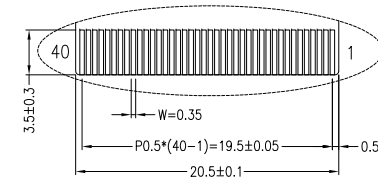
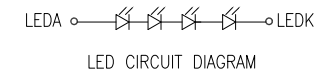


DETAIL A
(SCALE 100:1)



DETAIL B
(SCALE 2:1)



PIN DESCRIPTION	
PIN	SYMBOL
1	NC
2	NC
3	NC
4	CS
5	SDA
6	SCL
7	DE
8	VSYNC
9	HSYNC
10	NC
11	PCLK
12	GND
13	NC
14	NC
15	DB12
16	DB13
17	DB14
18	DB15
19	DB16
20	DB17
21	NC
22	NC
23	DB6
24	DB7
25	DB8
26	DB9
27	DB10
28	DB11
29	NC
30	NC
31	DB0
32	DB1
33	DB2
34	DB3
35	DB4
36	DB5
37	VCI
38	LEDK
39	LEDA
40	LEDK

NOTES:

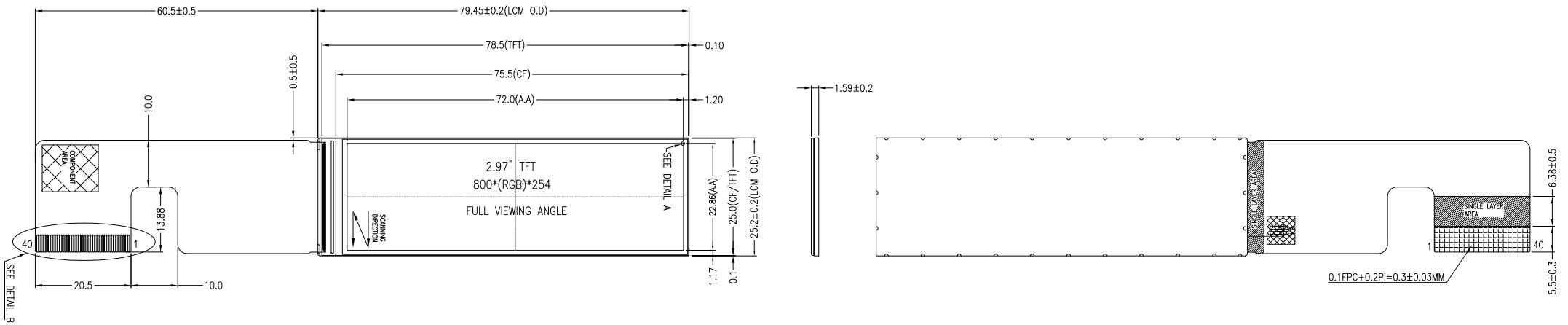
1. DISPLAY TYPE: TFT, TRANSMISSIVE, NORMALLY BLACK
2. OPERATING VOLTAGE: VCI=2.8V (TYP.)
3. VIEWING DIRECTION: FULL VIEWING ANGLE
4. DRIVER IC: ST7701S
5. OPERATING TEMP.: -20°C ~ 70°C
6. STORAGE TEMP.: -30°C ~ 80°C
7. LED BACKLIGHT: 4-CHIP WHITE LED, IF=20mA, VF=11.2V~13.2V
8. SURFACE LUMINANCE: 240CD/M² (TYP.)
9. TOP POLARIZER SURFACE TREATMENT: GLARE
10. THE SINGLE LAYER AREA OF FPC IS BENDABLE AND THE BENDING RADIUS MUST BE NOT LESS THAN 1.5MM
11. GENERAL TOLERANCE: ±0.2MM
12. ROHS COMPLIANT

MULTI-INNO TECHNOLOGY CO., LTD.

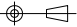
DRAWN BY:	CAROL	2021.09.02		MODULE P/N:
CHECKED BY:			SCALE : 1/1	MI0297AT-1
APPROVED BY:			UNIT: mm	DESCRIPTION:
VERSION NO:	01		SHEET NO.: 1/2	TFT MODULE

01	FIRST ISSUE	CAROL	2021.09.02
VER.	REVISED DESCRIPTION	REVISER	DATE

CUSTOMER APPLICATION REFERENCE



 MULTI-INNO TECHNOLOGY CO., LTD.

DRAWN BY:	CAROL	2021.09.02		MODULE P/N:
CHECKED BY:			SCALE : 1/1	MI0297AT-1
VER.	REVISER	DATE	VERSION NO:	DESCRIPTION:
01	CAROL	2021.09.02	01	TFT MODULE
				UNIT: mm
				SHEET NO.: 2/2

01	FIRST ISSUE	CAROL	2021.09.02
VER.	REVISER	DATE	VERSION NO: